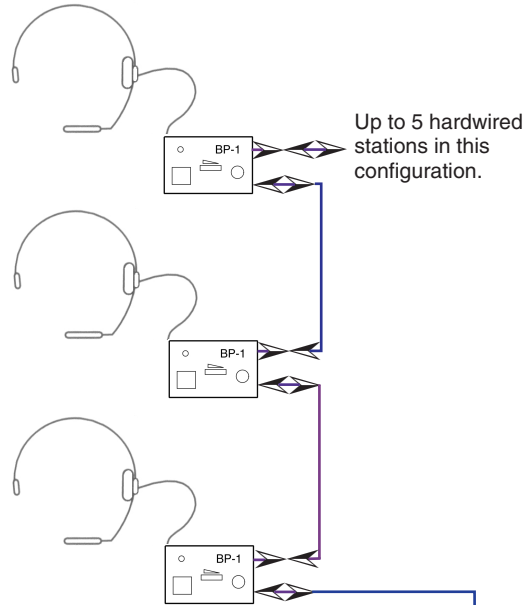


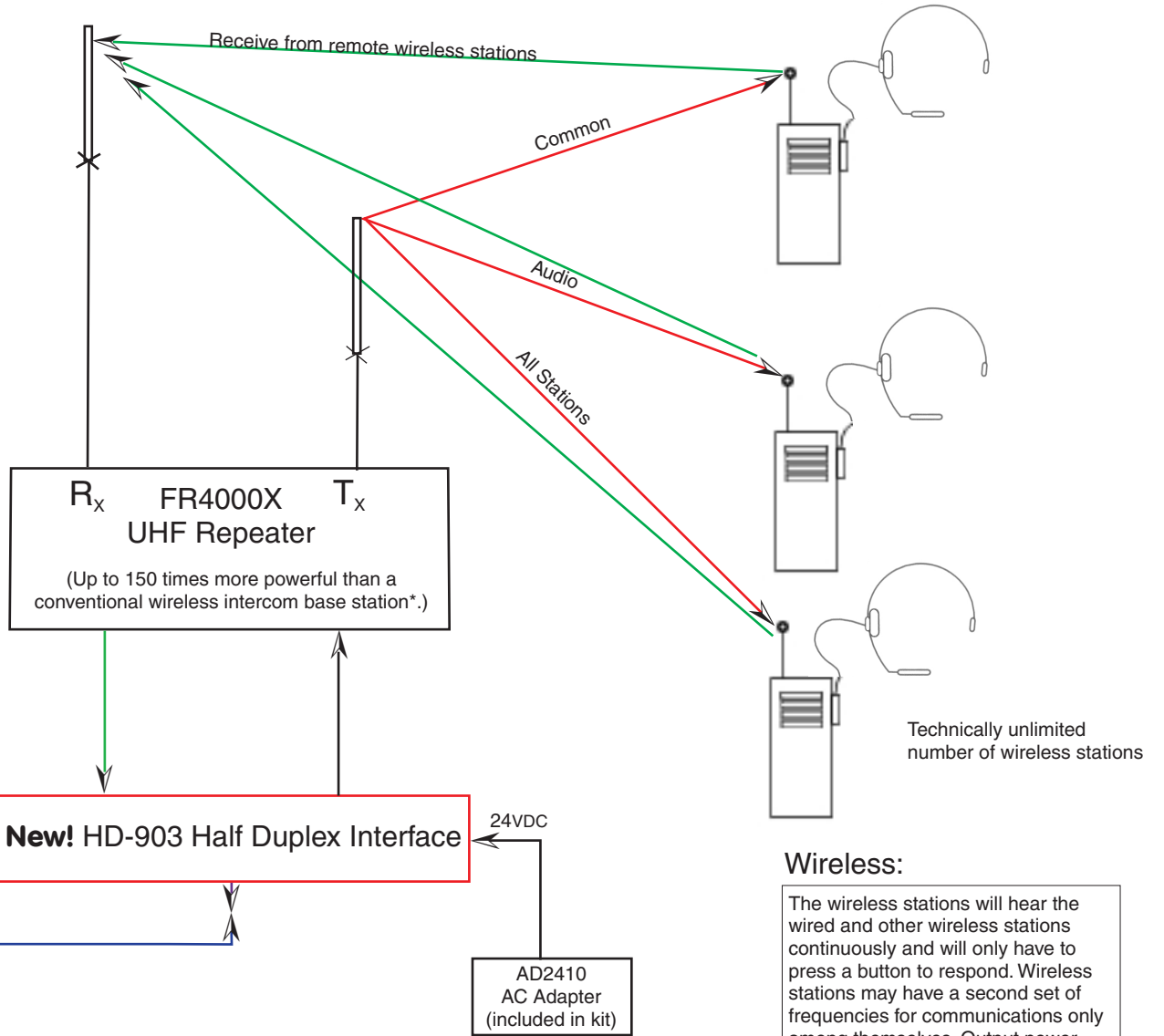


Production Intercom



Hardwire:

The hardwired stations can be looped through, as shown, or arranged in any star or spur configuration. Wired stations will hear the other wired and wireless stations continuously, and can respond, hands-free, to either, or both, simultaneously.



Wireless:

The wireless stations will hear the wired and other wireless stations continuously and will only have to press a button to respond. Wireless stations may have a second set of frequencies for communications only among themselves. Output power may be selectable for varying environments*.

Hybrid Wired and Wireless Half-Duplex Intercom System

(Using the HD-903, in addition to its interface function, as the power supply for the wired portion)

*Higher outputs may require an FCC licence. It's easy, with available help.